

## The portable USB smart card interface

### GemPC Key is a new, cost-effective reader for PC logon applications and GSM card management

Market pressure is driving down the cost of smart card readers, whilst expecting portable tokens with increased efficiency and a broad range of on-board security applications like digital signature, user authentication and secure on-line transactions. Gemplus' GemPC Key delivers the solution in the shape of a secure USB plug-in smart card interface for applications such as home-banking, loyalty, and network services.

GemPC Key offers all the power of a multi-application dynamic smart card in a USB key, the ideal for users who require a combination of security and portability.

#### Secure, portable and customizable

GemPC Key is made of tough plastic and, since it is smaller than a conventional house key, can be easily carried on a key ring. GemPC Key is available in a variety of colors and can be customized with graphics, logos etc.

#### Easy to deploy

The GemPC Key plug-in reader is distributed independently of the plug-in smart card, facilitating production, issuance, and marketing applications.

#### Easy to install

GemPC Key is a plug & play device, requiring no additional cable or wiring. It is ISO7816 compliant, USB full speed and compatible with Microsoft PC/SC

drivers on Windows®98, 98SE, Me, 2000 et XP. GemPC Key is also compliant with Microsoft's CCID driver. Installation and diagnostic tools are provided.

#### Easy to use

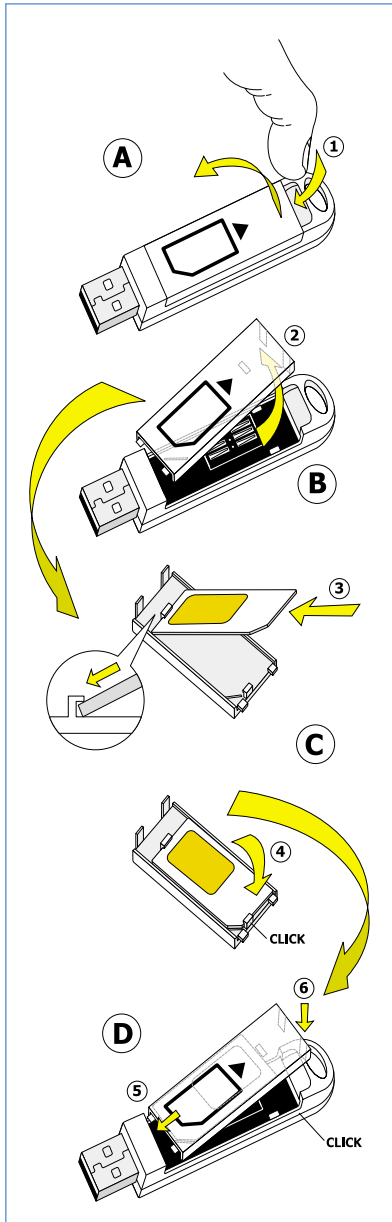
GemPC Key is a true plug and play device. The smart card can be easily removed from the plastic shell. Additional security features are optional.

#### Applications

- Home-banking
- Electronic coupons/loyalty
- Internet access
- Secure download of content
- Computer access control
- Network security
- People identification
- Access to Wlan network
- And more...



## How to insert the plug-in card



## GemPC Key

### Same Gemplus expertise

Gemplus designs, develops and delivers industry leading smart card interface technologies backed by a dedicated team to ensure successful and profitable implementation of our products.

Choosing Gemplus GemPC smart card readers also provides access to a full range of associated software, services and support which have made Gemplus the undisputed world leader in Smart Card enabled solutions. Working with our Integration and Consulting Services team means that you benefit from many years of experience in the deployment and integration of smart card solutions in telecommunications, financial services and e-business security fields.

Our highly skilled experts provide quick to market, cost-effective, and best-in class services ranging from audit and application design to solution and system integration, change management, customer support, training & seminars.

## Technical Specifications

### Host Interface

- Plug and Play
- USB full speed (12Mbps)

### Smart Card Interface

GemCore Pro hardware and firmware architecture:

- plug-in card size
- supports ISO7816 Class A, B and C (5V, 3V, 1.8V)
- supports all ISO7816 TA1 parameters (up to 344 kbps)
- reads from and writes to all ISO7816-1,2,3,4 microprocessor cards, T=0 and T=1
- short circuit detection

### Smart Card Connector

- 8 frictions contacts – ISO location

### Human Interface

- LED one Color (Green)

### Standards/Certifications

- ISO/IEC 7816-1,2,3,4: IC Cards with Contacts
- Microsoft Windows® Hardware Quality Labs (WHQL)
- USB 2.0 Full speed
- CCID - Chip Card Interface Device 1.0

### APIs

- Microsoft PC/SC environment with associated drivers
- Other environments (OCF, CT-API) upon request

### Operating Systems Support

- Windows 98, 98SE, Me, 2000, XP
- Other OS supported upon request (Linux, MacOS X)

### Cable/Power Supply

- USB type A connector
- Power supply thru USB port
- Op. voltage [4.4 -> 5.5V]

### Environmental Performances

- CE, FCC part 15 Class B, VCCI, BSMI, C-Tick
- EN 60950/UL950/CSA950
- Operating temperature: +5°C to +55°C
- Storage temperature: -25°C to +60°C

### Dimensions

- LWH (LWH 64x16x8 mm)

